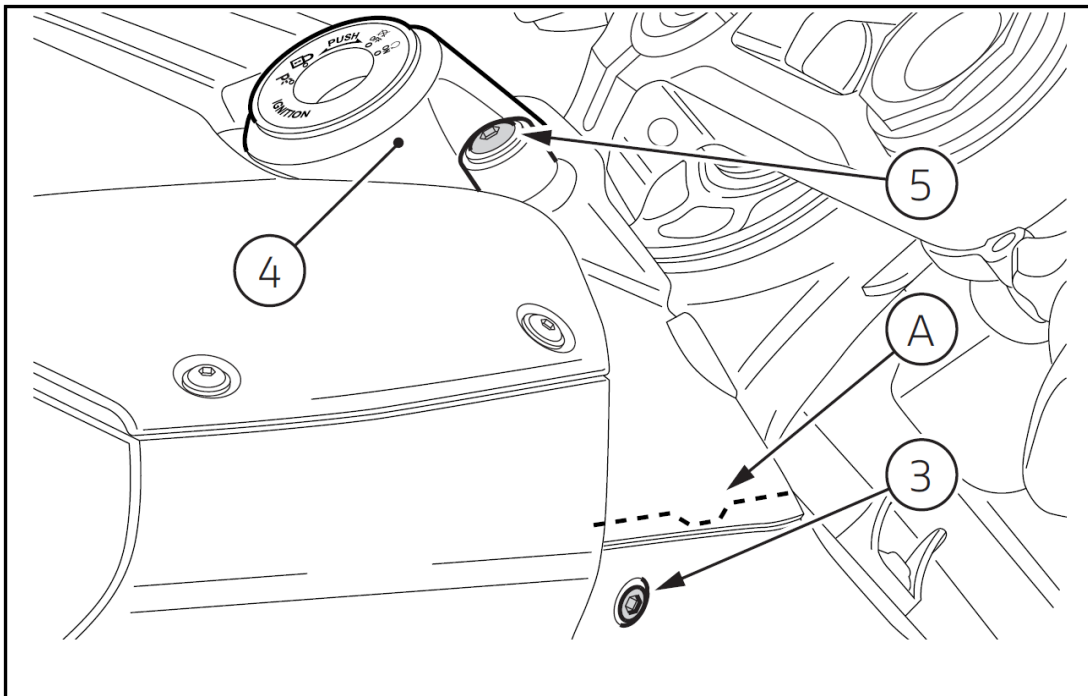
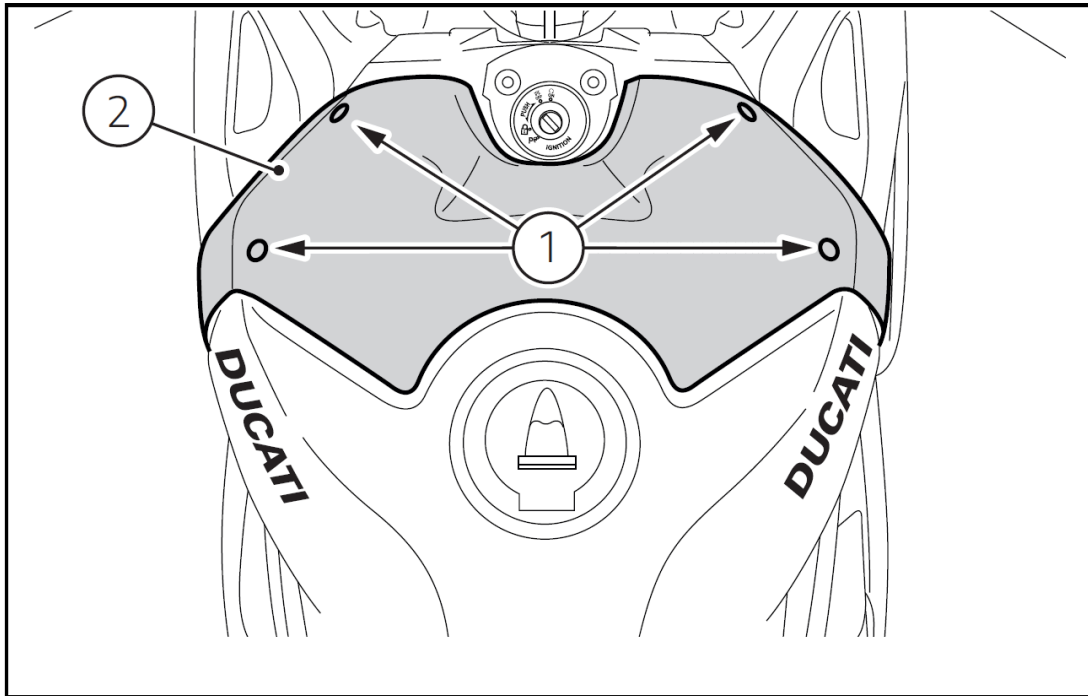
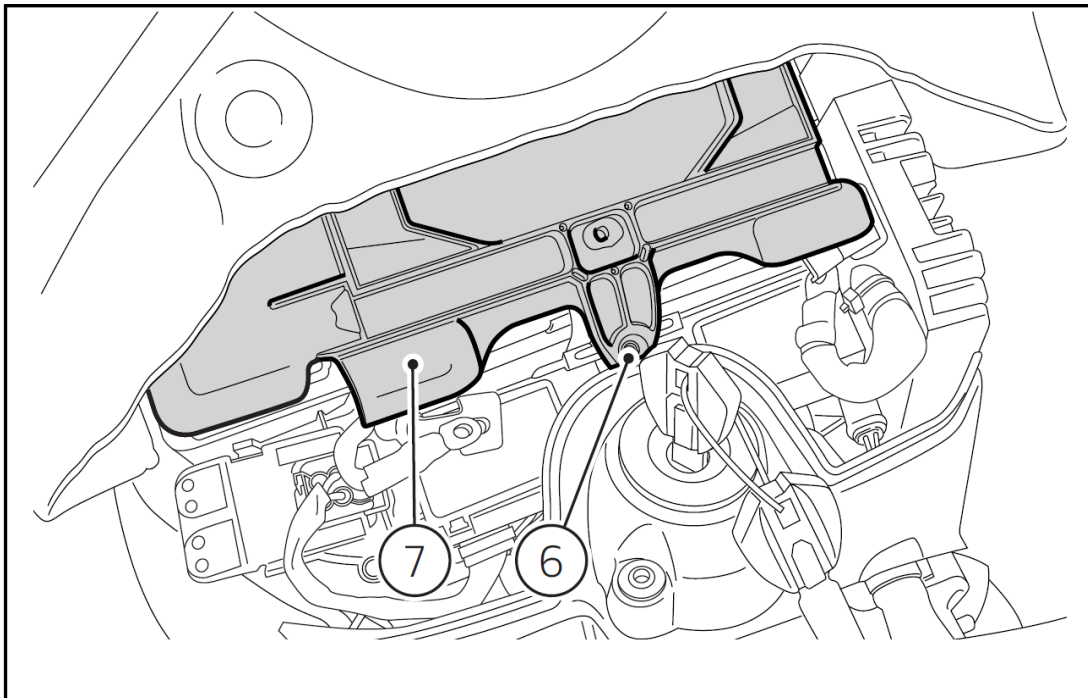
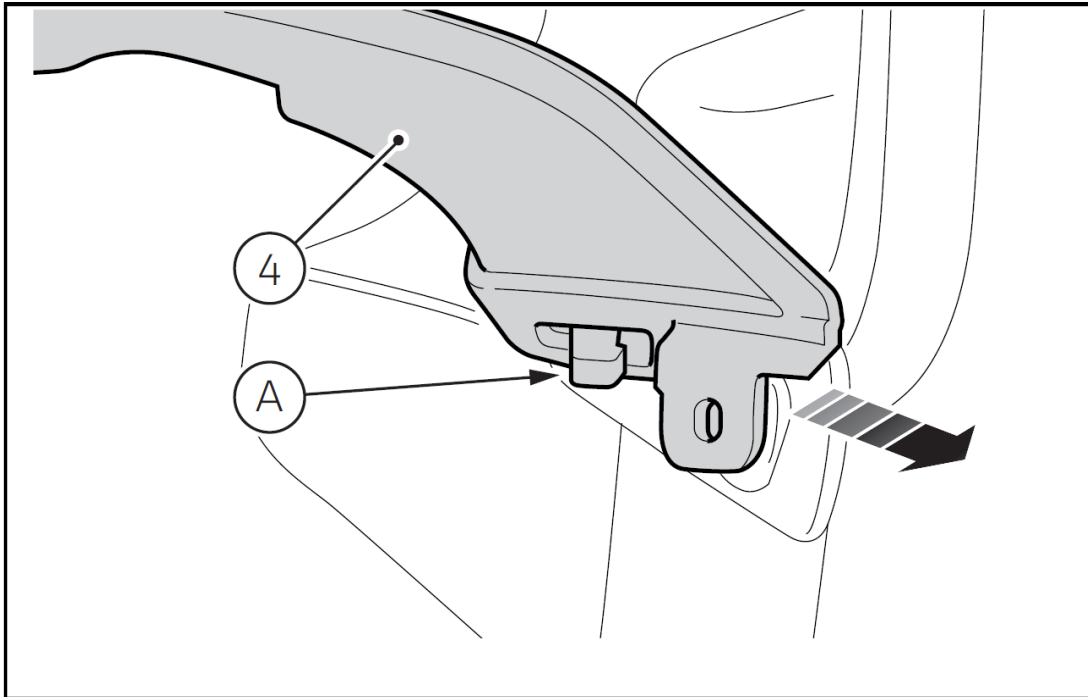


WARNING: for a correct programming, it is necessary to remove the BBS fuse and carry out all operations below with ignition off.

Loosen the four screws (1), collect the relevant washers and remove tank cover (2).
Loosen the two side (3) and upper (5) screws retaining the ignition switch cover (4)



Slide out the ignition switch cover (4) from the rear and from upwards, paying attention to the inner tabs (A) connected to the side fairing, positioned on both sides.
Loosen screw (6) and slide out cover (7) retaining the battery.



FLASH_0735 DUCATI CONTINENTAL M4D CAN

VER 02.00

WARNING: there are two fuse boxes. The BBS fuse is in the right box (gas throttle side) as highlighted in the picture below.

Remove the BBS fuse every time you write a file.

At the ending of the writing procedure, before turning on the bike, it is necessary to set back the BBS fuse in its original position.

Front right fuse box (B) key		
Pos	El. item	Rat.
1	EMS powered relays	25 A
2	Fuel pump relay	10 A
3	Starter relay	-

Front right fuse box (B) key		
4	Instrument panel	15 A
5	Black Box System (BBS)	15 A
6	ABS 1	25 A
7	ABS 2	10 A
8	Spare	25 A
9	Spare	15 A
10	Spare	10 A

